

HENRY AIRTOOLS

AMERICAN MADE INDUSTRIAL TOOLS

MODELS 52 RA

General Safety and Maintenance Manual



Henrytools 52RA right angle grinder featuring a 2 HP motor



CAPACITY

7 Inch (180 mm) or 9 Inch (230 mm) Type 27 Wheels

Model Number	Exhaust Direction	Throttle Type	Rated Speed	Power Output	Case Material	Weight	Overall Length	Body Diameter	Working Air Consumption	Spindle Length & Thread
52 RA	SIDE	SAFETY LEVER	4000-8000 R.P.M.	2.0 H.P 1500 W	Aluminum	8.0 Lb/ .3.6 Kg	15 inch 381 mm	3.0 Inch 76.2 mm	40 cfm (18.9 L/s)	T1-5/8-11 x 0.9 inch (23mm) T2-5/8-11 x 1.1 inch (28mm)

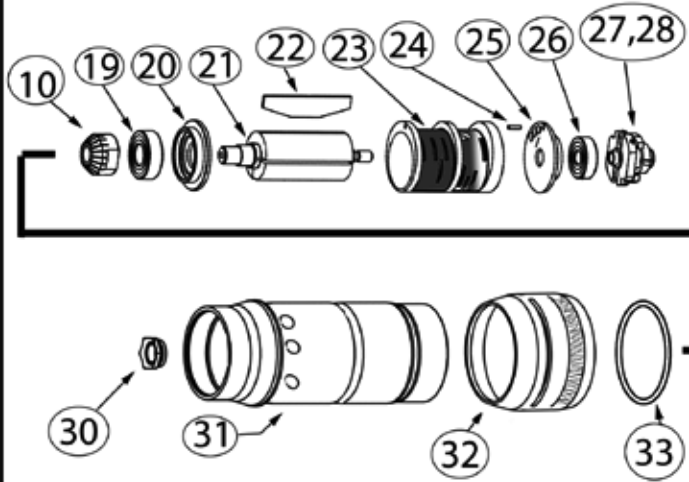
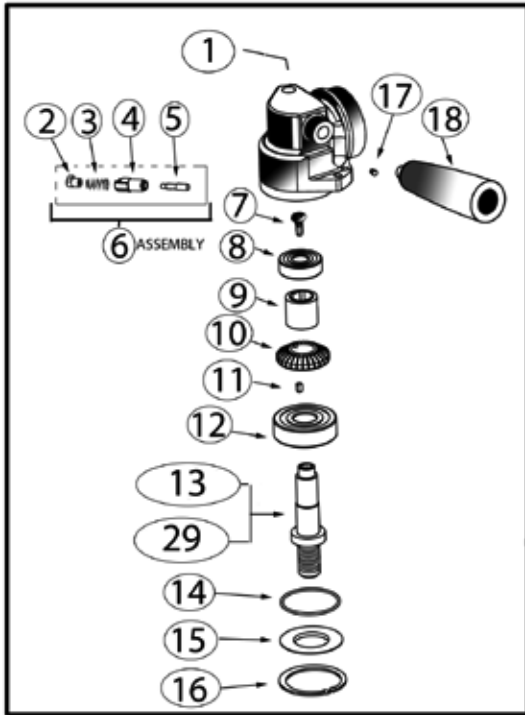
THE HENRY TOOL CO., MANUFACTURED BY HENRY TOOLS

498 SO. BELVOIR BLVD., SOUTH EUCLID, OH 44121 U.S.A.

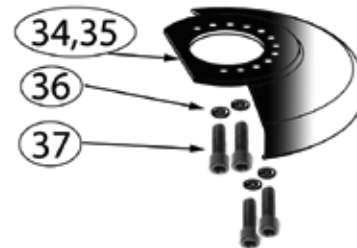
PH: (216) 291-1011 OR (800) 826-5257 • FAX: (216) 291-5949 OR (800) 303-2800

EMAIL: DAVIDH@MSN.COM • WEBSITE: WWW.HENRYTOOLS.COM

**MODELS
52 RA**



ACCESSORIES



ITEM NO.	PART NO.	DESCRIPTION
1	NRA-1	RIGHT ANGLE HEAD (52RA Model)
2	NRA-24	LOCK BUTTON (52RA Model)
3	NRA-22	SPRING (52RA Model)
4	NRA-20	LOCK HOUSING (52RA Model)
5	NRA-21	LOCK PIN (52RA Model)
6	AA-NRA-20	ASSEMBLY COMPLETE
7	591164	CAP SCREW (Model 52RA)
8	NRA-9	BEARING (52RA Model)

ITEM NO.	PART NO.	DESCRIPTION
9	NRA-15	SPACER (Model 52RA)
10	NRA-10	GEAR SET (sold as set) (Model 52RA)
11	NRA-43	KEY (Model 52RA)
12	NRA-16	BEARING (52RA Model)
13	NRA17A	SPINDLE 5/8-11 X 0.9 (52RA Model)
14	594030	O-RING (Model 52RA)
15	NRA-13	SPACER SHIELD (52RA Model)
16	NRA-14	SNAP RING (52RA Model)
17	500-25-G	FITTING (52RA Model)
18	NRA-40	DEAD HANDLE (52RA Model)

HENRY TOOLS, INC. PH: (216) 291-1011 or (800) 826-5257

MODELS 52 RA



ITEM NO.	PART NO.	DESCRIPTION
19	NRA-8	BEARING (52RA Model)
20	NRA-7	FRONT END PLATE (52RA Model)
21	NRB-5	ROTOR (Model 52RA)
22	N6	ROTOR BLADE (4 are Req'd)
23	N2	CYLINDER (Model 52RA)
24	400-44	PIN
25	NV-3	REAR END PLATE (Model 52RA)
26	NV-9	BEARING (52RA Model)
27	NGOV-63	6000RPM GOVERNOR (Model 52RA)
28	NGOV-64	8000RPM GOVERNOR (Model 52RA)
29	NRA-17	SPINDLE 5/8-11 X 1.1 (52RA Model)
30	N70	GOVERNOR SEAT (Model 52RA)
31	HTA-130	MOTOR CASE (Model 52RA)
32	NRA-27A	EXHAUST DEFLECTOR (Model 52RA)
33	594228	O-RING (Model 52RA)
34	NRA-727	7" Type 27 Guard
35	NRA-927	9" Type 27 Guard
36	700-46	Lock Washer
37	591074	Screw

ACCESSORIES	
1100-150	1-1/2" WRENCH
ASSEMBLIES	
AA-NRA-20	SPINDLE LOCK ASSY
REPAIR KITS	
510260-A	REPAIR KIT INCLUDES: ALL BEARINGS , ROTOR BLADES AND SNAP RINGS.

ACCESSORIES	
1100-150	1-1/2" WRENCH
849259	5/8-11 SANDING PAD NUT
889271	5/8-11 4" SANDING PAD (MAX 12000 RPM)
849848	5/8-11 5" SANDING PAD (MAX 10000 RPM)
849848-R	3/8-24 5" SANDING PAD (MAX 10000 RPM)
849850	5/8-11 6" SANDING PAD (MAX 8500 RPM)
849913	5/8-11 7" SANDING PAD (MAX 8500 RPM)
849914	5/8-11 9" SANDING PAD (MAX 6500 RPM)
849269	DEP. CENTER WHEEL ADP. KIT

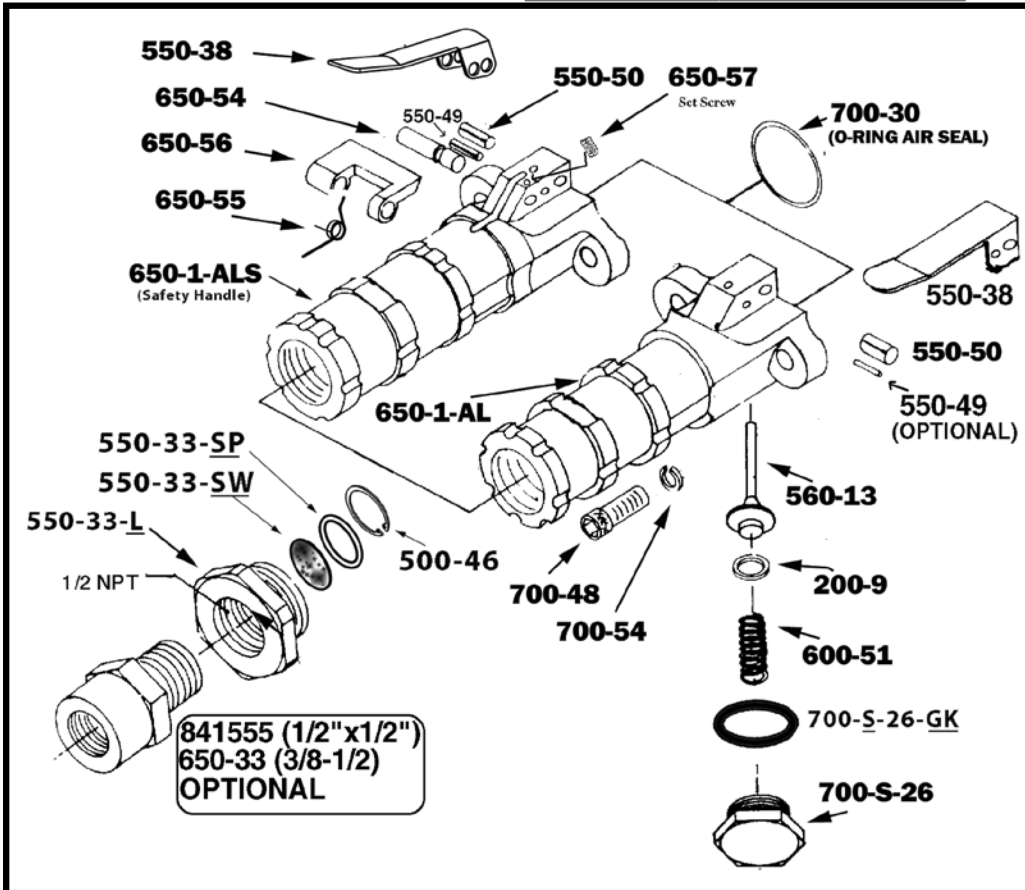
HENRY TOOLS, INC. PH: (216) 291-1011 or (800) 826-5257

MODELS 52 RA



Part Number	Description
200-9	O-Ring
500-46	Snap Ring
550-33-L	Live Handle Adaptor bushing
550-33-SW	Screen Filter
550-33-SP	Spacer
550-38	Lever
550-50	Lever Pin
560-13	Throttle Valve Assembly with 200-9 O-ring installed
600-51	Plunger Spring
650-1-AL	Live Handle Body (Non-Lockout type)
650-1-ALS	Safety Lock Valve Body(Bare)

Part Number	Description
AA-650-1-AL	Handle Assembly (Complete)(Non-lockout handle)
AA-650-1-ALS	Safety Lock Handle Assembly (Complete)
650-33	Screen Bushing(1/2x3/8)
650-54	Safety Lock Pin
650-55	Safety Lock Spring
650-56	Safety Lock Lever
650-57	Set Screw
700-30	O-Ring
700-48	Cap Screw
700-54	Lock Washer
700-S-26	Plug
700-S-26-GK	Gasket
841555	Screen Bushing (1/2X1/2)



HENRY TOOLS, INC. Ph: (216) 291-1011 or (800) 826-5257